

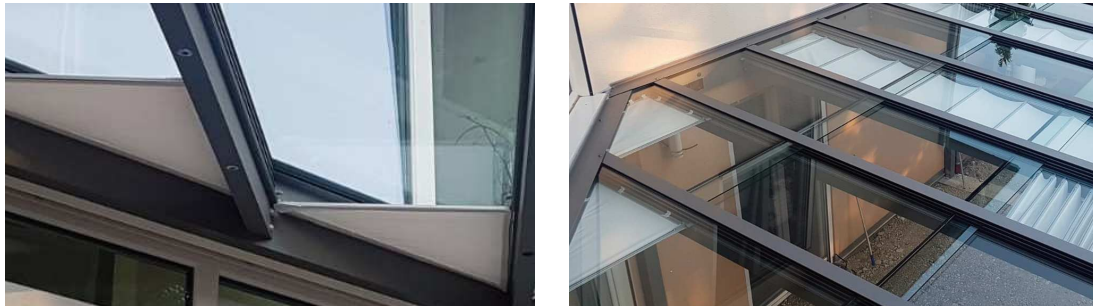


special solutions (on request)

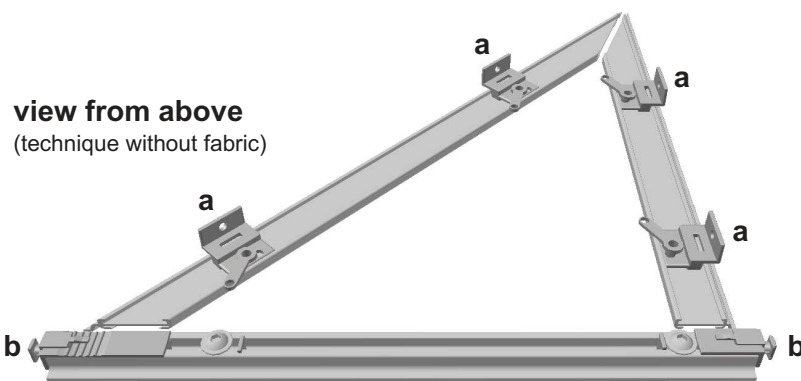
fixed elements

→ example triangle - internal static

(also possible at external static)

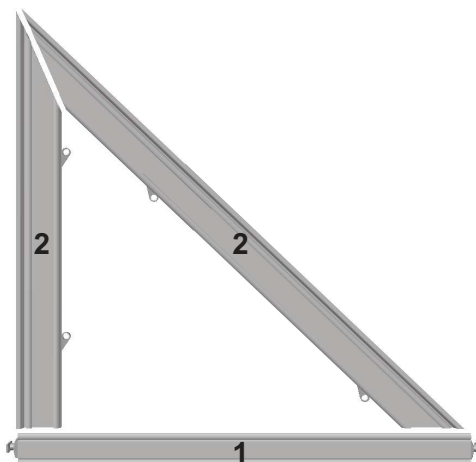


Fixing the fabrics is exactly the same as with the moveable sunola system, so the fabrics can be easily removed for washing.



- a fixation at the rafter
- b fixation at the sunola HAND profile

bottom view
(technique without fabric)



- 1 sunola velcro[®] profile with glider
- 2 aluminium panels with a glued-on hook-tape and fixing brackets